

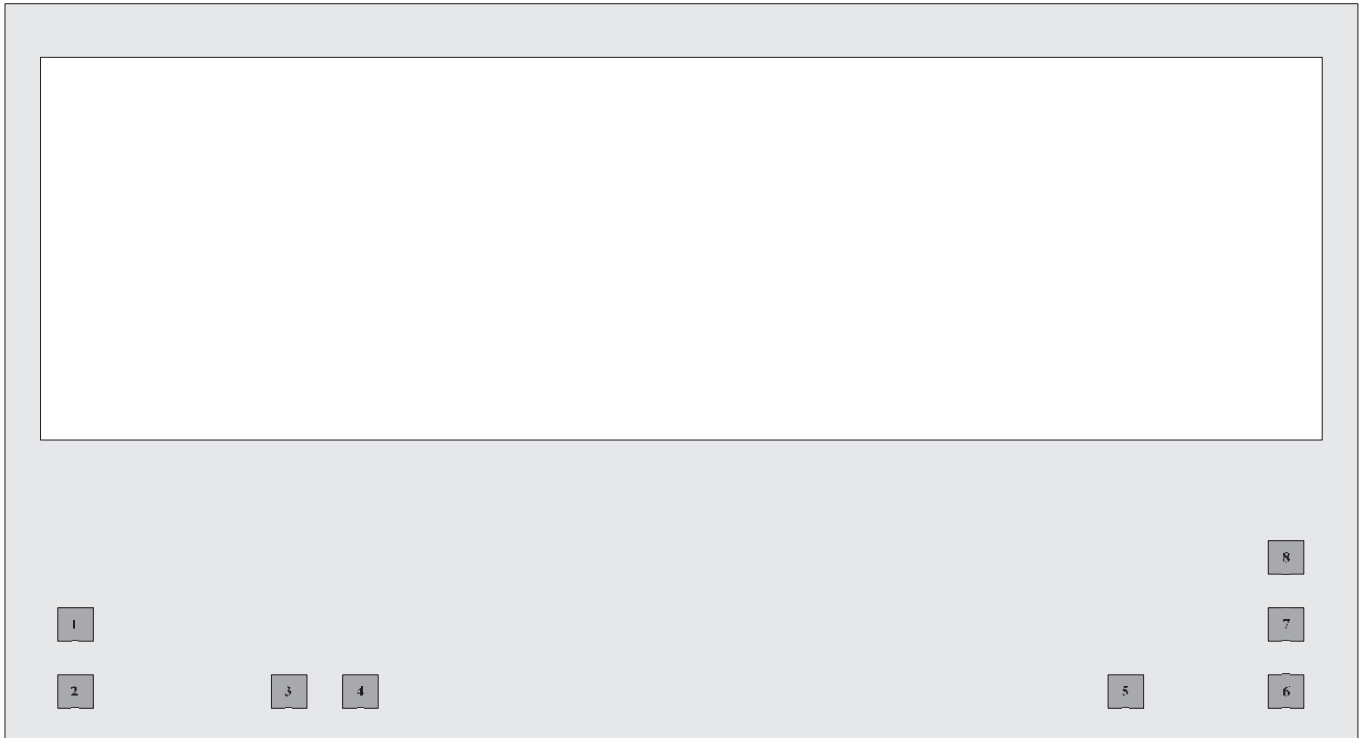
z Play rate level:

Sk020 can provide different play rate in one code as follow

Play rate(K)	Play rate(K)
3	6
3.2	6.4
3.31	6.85
3.42	7.38
3.55	8
3.69	8.72
3.84	9.6
4	10.66
4.17	12
4.36	13.71
4.57	16
4.8	19.2
5.05	24
5.33	
5.64	

□ Sk020 Pad Location

CHIP SIZE: 0(0) (1734, 715)μM



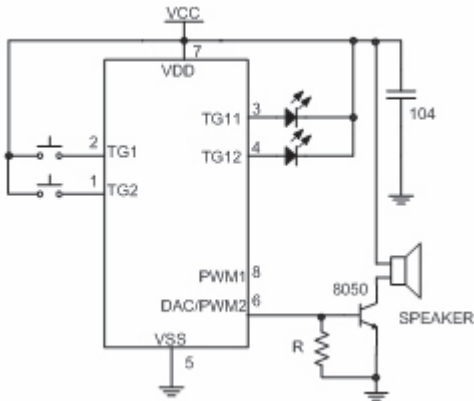
NO	PAD NAME	X	Y	NO	PAD NAME	X	Y
1	TG2	-777	-184	5	VSS	443	-267
2	TG1	-777	-269	6	PWM2	794	-289
3	TG11	-606	-268	7	VDD	797	-204
4	TG12	-521	-268	8	PWM1	794	-119

□ **Sk020 DC character**

Item	Symbol	Min	Typ	Max	Unit	Condition
Operating voltage	VDD	2.4	3.0	3.6	V	
Standby current	I _{sb}		1	5	uA	VDD=3V, no load
Operating current	I _{op}		600		uA	VDD=3V, no load
Drive current of O	I _{od}		5		mA	VDD=3V
Sink current of O	I _{os}		10		mA	VDD=3V
Drive current of PWM	I _{od}		200		mA	VDD=3V, VOUT=1.5V
Sink current of PWM	I _{os}		200		mA	VDD=3V, VOUT=1.5V

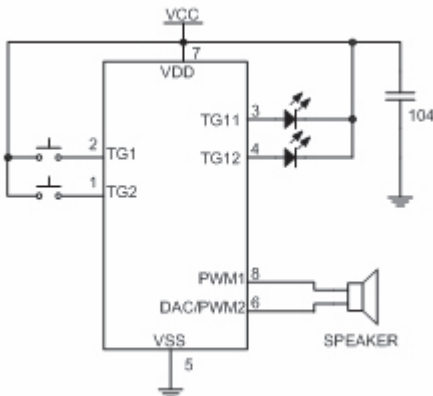
□ Sk020 Application Circuit

Sk020 DAC APPLICATION



- Z System Power 2.4~3.6V
- Z DAC Output, Connected with 8050 & Resistor driving Speaker

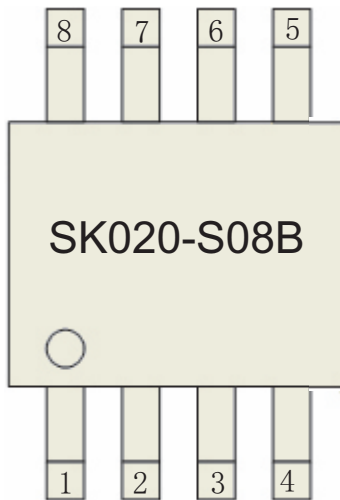
Sk020 PWM APPLICATION



- Z System Power 2.4~3.6V
- Z PWM1 & PWM2 directly drive Speaker

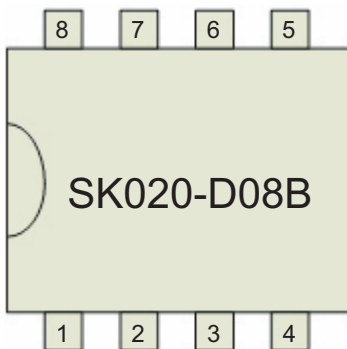
□ Sk020 Package Information

SK020-S08B



PIN	NAME
1	TG2
2	TG1
3	TG11
4	TG12
5	VSS
6	PWM2/DAC
7	VDD
8	PWM1

SK020-D08B



PIN	NAME
1	TG2
2	TG1
3	TG11
4	TG12
5	VSS
6	PWM2/DAC
7	VDD
8	PWM1

□ Writer Mapping Description

Writer Pin: **TG2, TG11, TG12, VSS, PWM2, PWM1, VDD**

Write Board Revised from 2M Write Board --- Pin Assignment Reference

OTP Writer Power Board Pin Mapping Table			
DIP 48	PAD Name	SK020-S08B	SK020-D08B
10-RSTN			
11-GND	5-VSS	5-VSS	5-VSS
12-SCK	6-PWM2	6-PWM2	6-PWM2
13-CS	8-PWM1	8-PWM1	8-PWM1
14-VCC	7-VDD	7-VDD	7-VDD
36-TEST			
37-VPP	1-TG2	1-TG2	1-TG2
38-DI01	2-TG1	2-TG1	2-TG1
39-DI02	3-TG11	3-TG11	3-TG11

□ Writer Board Slot Location

